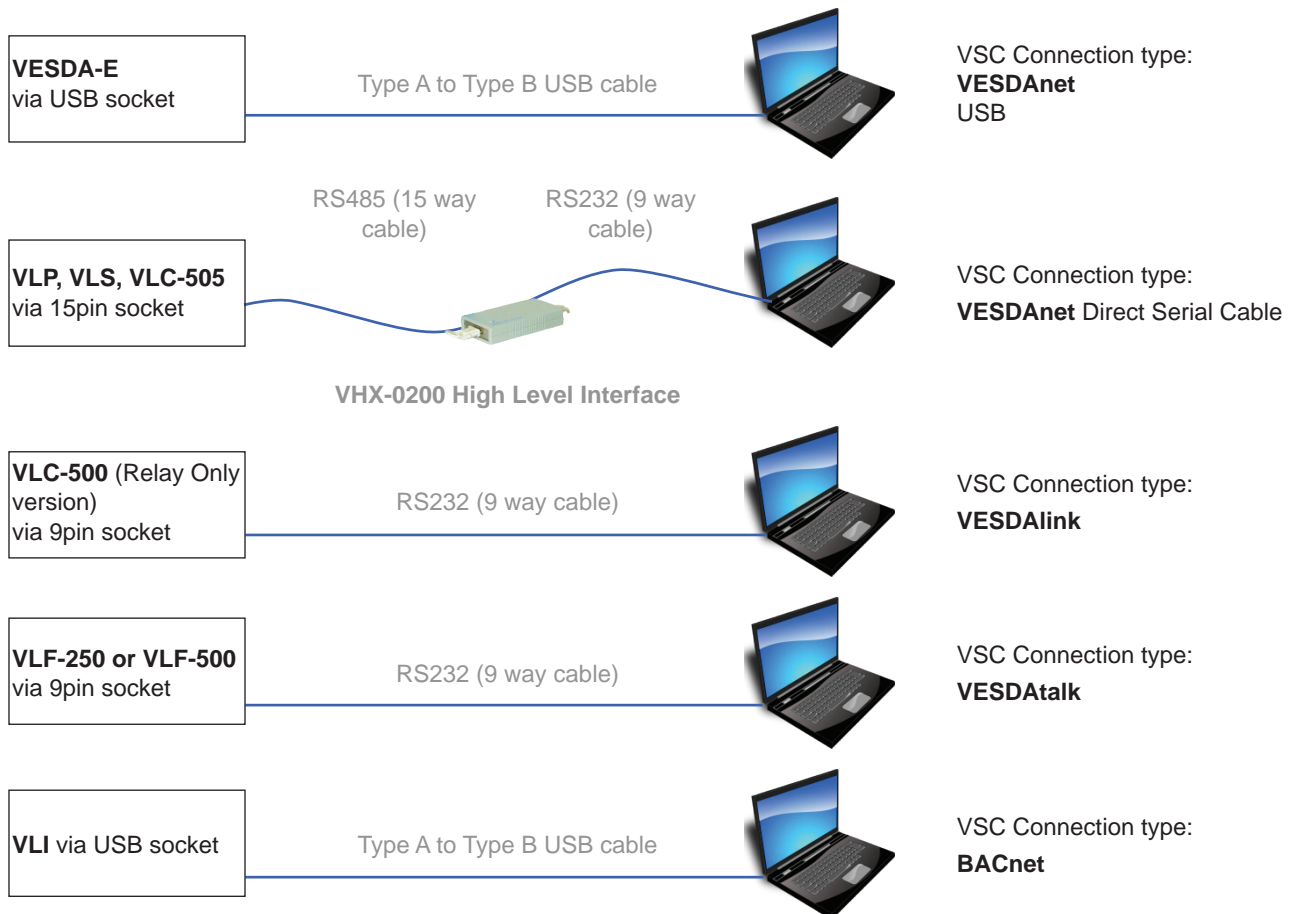


## Connecting to your VESDA Detector

### Overview

The diagrams below show you how to connect to your VESDA detector using a personal computer or laptop running Xtralis VSC. The Xtralis VSC software package is available as a free download via our website once you have logged in or a copy can be obtained from your local VESDA distributor. If required, we recommend using Easy Sync or MOXA RS232 to USB converters.



[www.xtralis.com](http://www.xtralis.com)

**UK and Europe** +44 1442 242 330 **D-A-CH** +49 431 23284 1 **The Americas** +1 800 229 4434

**Middle East** +962 6 588 5622 **Asia** +86 21 5240 0077 **Australia and New Zealand** +61 3 9936 7000

The contents of this document are provided on an "as is" basis. No representation or warranty (either express or implied) is made as to the completeness, accuracy or reliability of the contents of this document. The manufacturer reserves the right to change designs or specifications without obligation and without further notice. Except as otherwise provided, all warranties, express or implied, including without limitation any implied warranties of merchantability and fitness for a particular purpose are expressly excluded.

Xtralis, the Xtralis logo, The Sooner You Know, VESDA-E, VESDA, ICAM, ECO, OSID, HeiTel, ADPRO, IntrusionTrace, LoiterTrace, ClientTrace, SmokeTrace, XOa, XOh, iTrace, iCommand, iRespond, iCommission, iPIR, and FMST are trademarks and/or registered trademarks of Xtralis and/or its subsidiaries in the United States and/or other countries. Other brand names mentioned herein are for identification purposes only and may be trademarks of their respective holder(s). Your use of this document does not constitute or create a licence or any other right to use the name and/or trademark and/or label.

This document is subject to copyright owned by Xtralis. You agree not to copy, communicate to the public, adapt, distribute, transfer, sell, modify or publish any contents of this document without the express prior written consent of Xtralis.

Doc. no. 21755\_03